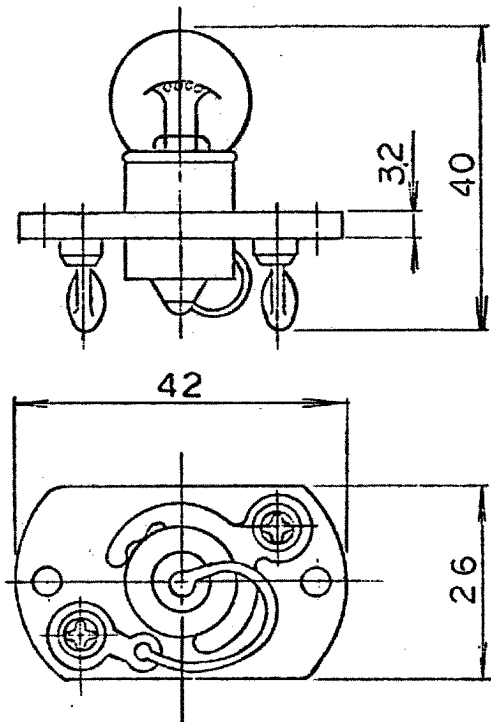


NO	DATE	DESCRIPTION	REV	CKD	NO	DATE	DESCRIPTION	REV	CKD



LAMP ASS'Y				
ランプ及ビランプ受アッセンブリ				
NO.	DATE	DESCRIPTION	REV.	CKD.
△	MAY. 24 '80	WEIGHT→MASS (B-1458)	Y. KASHIMA	Y. IMAI
DWN.	Y. SAKAI NOV. 6 '85	MASS APPROX.	△	0.1 kg
CKD.	M. OTSU NOV. 6 '85	SCALE	1/1	DRG. NO.
APPD.	M. FUJIMOTO NOV. 8 '85	ORDER NO.		MW1200.1-26P
			NIRECO ^P /	