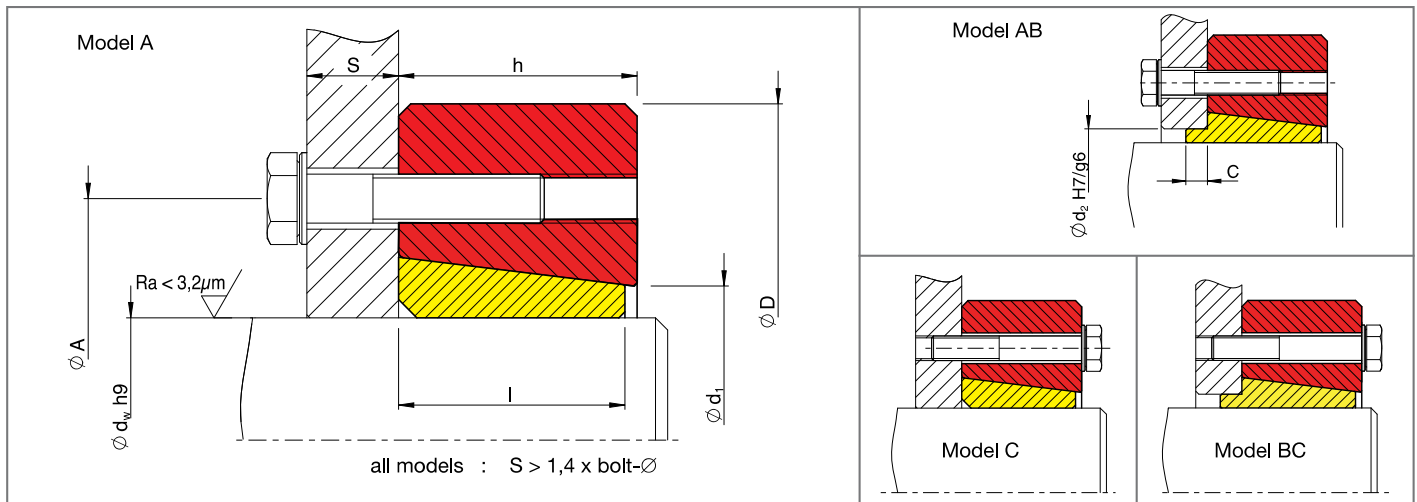


# Locking Unit Type AS

Series 12



For the transmission of torque only. For the transmission of both torque and bending moments select series 22 or 23.

Type	$d_w$ mm	$M_t$ kNm	B* Grade 10.9	$M_a$ Nm	A mm	D mm	I mm	h mm	C mm	$d_1$ mm	$d_2$ mm	kg
AS 10 - 12	11	0,02	3 x M6 x 18	12	25	39	9	10	1,5	13	12	0,1
	10	0,02										
	9	0,02										
AS 12 - 12	13	0,05	3 x M6 x 20	12	28	44	12	13	1,5	16	14	0,1
	12	0,05										
	11	0,05										
AS 15 - 12	16	0,13	3 x M8 x 25	29	36	52	14	15	2	21	18	0,2
	15	0,13										
	14	0,13										
AS 20 - 12	20	0,20	3 x M8 x 30	29	42	60	16	17	2	25	22	0,3
	18	0,20										
	16	0,20										
AS 25 - 12	25	0,34	5 x M8 x 30	29	48	66	18	19	2	32	27	0,4
	22	0,34										
	20	0,34										
AS 30 - 12	30	0,55	6 x M8 x 35	29	56	76	20	21	2	38	32	0,6
	28	0,55										
	25	0,55										
AS 40 - 12	40	1,06	6 x M10 x 35	58	70	96	24	25	3	47	43	1,2
	35	1,06										
	30	1,06										
AS 50 - 12	50	2,20	7 x M12 x 45	100	84	112	29	30	3	58	53	1,8
	45	1,80										
	40	1,00										
AS 60 - 12	60	3,23	9 x M12 x 50	100	94	120	32	34	3	66	63	2,2
	55	3,23										
	50	2,30										
AS 70 - 12	70	5,80	8 x M16 x 60	240	112	148	38	40	4	79	74	4,2
	65	5,80										
	60	4,50										
AS 80 - 12	80	8,64	9 x M16 x 65	240	130	170	42	44	4	94	84	6,1
	75	8,64										
	70	6,90										
AS 90 - 12	90	12,00	12 x M16 x 70	240	144	185	48	50	4	104	94	8,0
	85	12,00										
	80	10,70										
AS 100 - 12	100	15,80	14 x M16 x 75	240	156	197	52	54	4	113	104	9,5
	95	15,80										
	90	15,80										

Further sizes on request. Technical changes to be reserved without notice.

\*Tightening bolts: standard DIN EN ISO 4017/4014: length for model C and BC, alternative DIN EN ISO 4762 M16 and upwards with washers: DIN EN ISO 7416

When ordering please state : e.g. AS70-12x65xC (Type x  $\varnothing d_w$  x desired model) flange width for model A and AB