

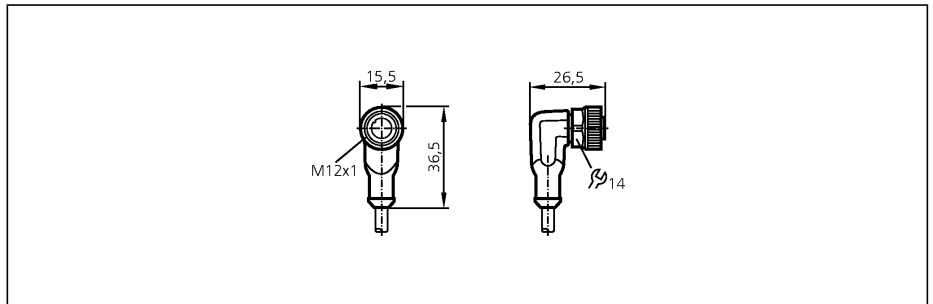
Connection technology

**EVC005**

ADOAH040MSS0005H04  
Socket

For sensors with  
M12 connector

Free from silicone  
Free from halogen  
gold-plated contacts



Made in Germany



Electrical design	
Operating voltage	[V]
Current rating	[A]
Design	
Ambient temperature	[°C]
Protection	
Material body	
Material nut	
Tightening torque for knurled nut [Nm]	
Connection	
Sheath colour	
Drag chain suitability	
Weight	[kg]
Remarks	

AC/DC	
250 AC / 300 DC	
4	
angled	
-25...90 *)	
IP 67 / IP 68 / IP 69K, II	
housing: TPU orange; sealing: Viton	
brass; nickel-plated	
0.6...1.5	
PUR cable / 5 m; 4 x 0.34 mm <sup>2</sup> (42 x Ø 0.1 mm); Ø 4.9 mm; halogen-free	
black	
Bending radius for flexible applications:	min. 10 x cable diameter max. 3.3 m/s for a horizontal travel length of 5 m and max. acceleration of
Travel speed:	5 m/s <sup>2</sup>
Bending cycles:	> 5 million
Torsional strain:	± 180 °/m
Weight	0.177
*) cRUUs: max. 50 °C	

**Wiring**

Core colours  
BK black  
BN brown  
BU blue  
WH white



- 1 ——— BN
- 2 ——— WH
- 3 ——— BU
- 4 ——— BK