

SERIES 800 – SWING CHECK VALVES

GENERAL CHARACTERISTICS

- Easy structure and mounting
- Direct installation between DIN flanges
- Short construction length
- Low weigh

BASIC INFORMATION

Range:

- DN: 50 - 300 (2" - 12")
- PN: 10, 16 bar

Temperature range:

- 25°C to + 125°C (depending on execution)

Applications:

- Water treatment
- Heating systems
- Oils

STANDARDS

LEAK TEST:

- EN 12266-1, CLASS A
- ISO 5208, CLASS A

CONNECTION

BETWEEN FLANGES:

- EN 1092-1,2
- EN ISO 6708

MARKING:

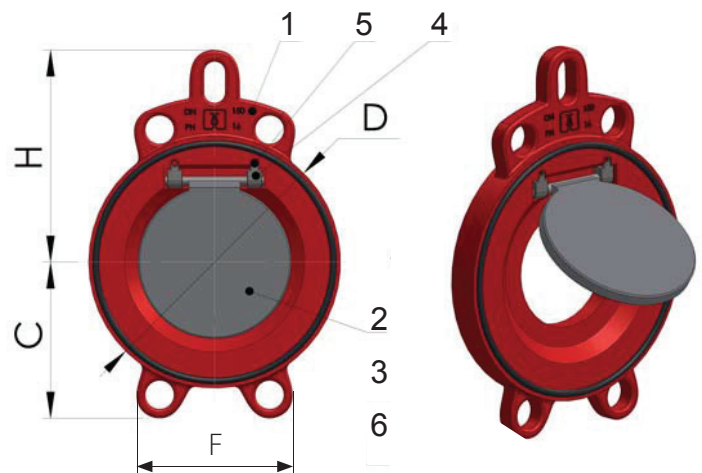
- EN 19

WORKING STANDARD:

- EN 12334

MATERIALS

Item	Name	Matrial
1	Body	Ductile iron 0.7040 (GGG40)
2	Disc	Stainless steel 1.4308 (CF8)
3	Seat	1 – NBR: marking 814 (- 10°C + 100°C)
		2 – EPDM: marking 824 (- 25°C + 125°C)
		On request special materials (Viton, Silicone)
4	Holder	Stainless steel 1.4308 (CF8)
5	Bolt	Stainless steel 1.4301 (AISI 304)
6	Flange sealing	Elastomer



DIMENSIONS

DN		A	C	D	E	F	H	Weight (kg)
mm	inch							
50	2"	22	64	99	18	130	125	1,3
65	2 1/2"	38	72	118	20	142	135	1,8
80	3"	44	93	132	20	150	142	2,3
100	4"	70	107	158	20	112	157	2,6
125	5"	95	119	184	22	120	169	3,5
150	6"	114	133	212	22	137	185	4,5
200	8"	140	166	268	22	159	214	7
250	10"	185	198	319	29	141	246	12
300	12"	216	234	370	38	162	284	21,5

Dimensions mentioned in mm, weight in kg.

