



ISO 9001:2008 by L.R.
PED DIR. 2014/68/UE by L.R.
ATEX DIR. 2014/34/UE by B.V.
FIRE SAFE EXECUTION by L.R.
ISO 15848 by TÜV
ANTISTATIC DEVICE by L.R.
FIRE SAFE TESTED ISO 10497 by L.R.
EAC CERTIFICATION by B.V.

TYPE
FB1
PN 10 ÷ 40
ANSI 150

NORME E DIRETTIVE APPLICATE DISPONIBILI AL SEGUENTE LINK:
STANDARD AND DIRECTIVE APPLIED AVAILABLE AT FOLLOWING LINK:
http://www.adlerspa.com/pdf/NORME_ADLER.pdf

VALVOLE A SFERA "CORPO PIATTO" PASSAGGIO TOTALE

ISO nbr° LRC 0160281 QSM issued by L.R.Q.A. PED nbr° COV 0212112/01 issued by L.R.V.
ATEX nbr° 40.2003.4392 issued by B.V. ISO 15848 nbr° I-148466/1-/2 issued by TÜV

On request
S.I.L. 3
According to IEC 61508

On request
FIRE SAFE
According to ISO 10497
"ISO-FT"

FULL BORE ACCORDING
TO ISO 14313

CONSTRUCTION ACCORDING TO:
BS EN 12516-2 - ANSI B16.34
ISO 14313 - EN 558

BALL VALVES "WAFER TYPE" FULL BORE
ROBINETS A BOISSEAU SPHERIQUE
"WAFER" PASSAGE INTEGRAL
FLANSCHKUGELHÄHNE IN "KOMPAKTBAUWEISE"
VOLLER DURCHGANG

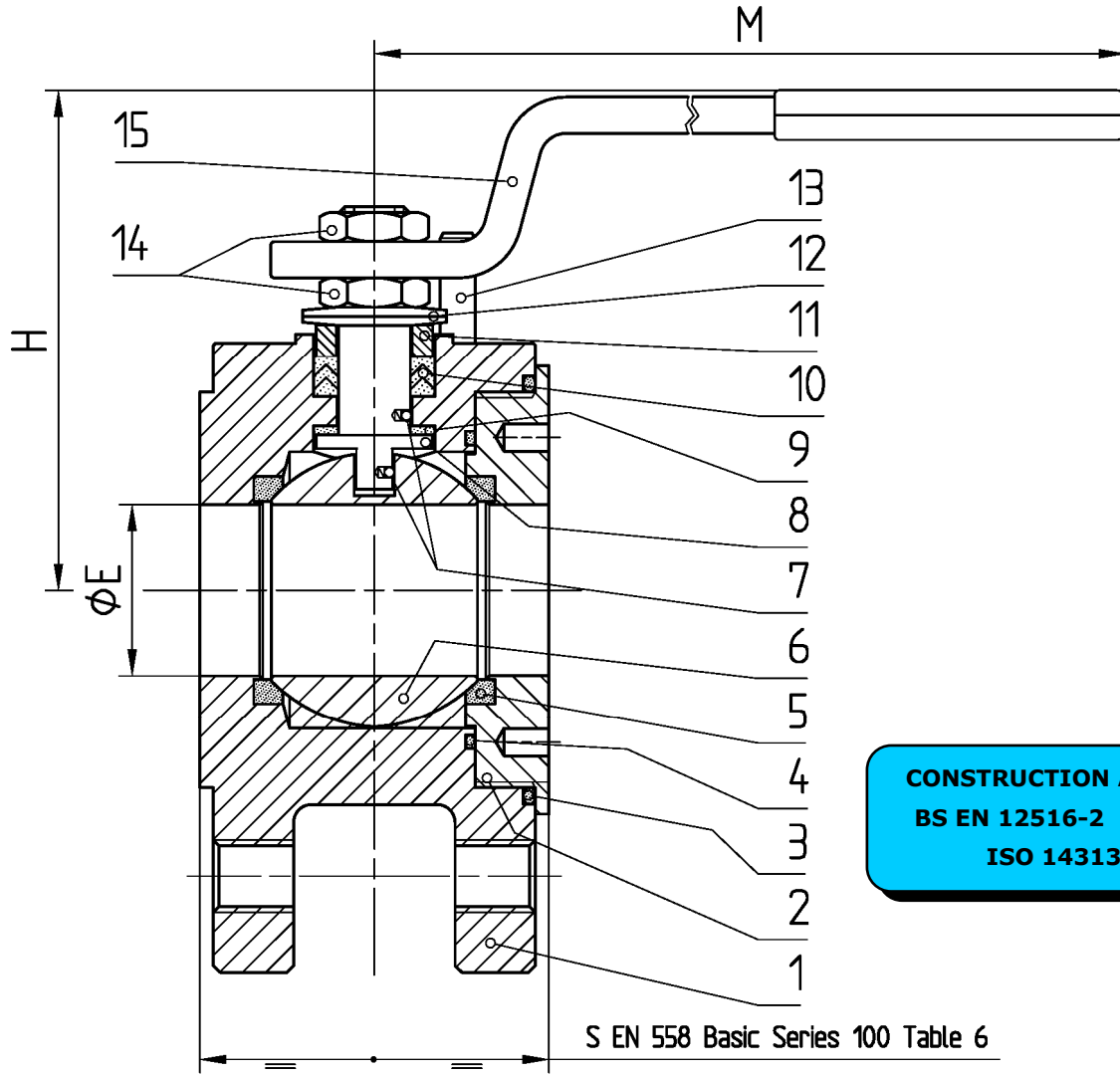
WEB SITE: WWW.ADLERSPA.COM



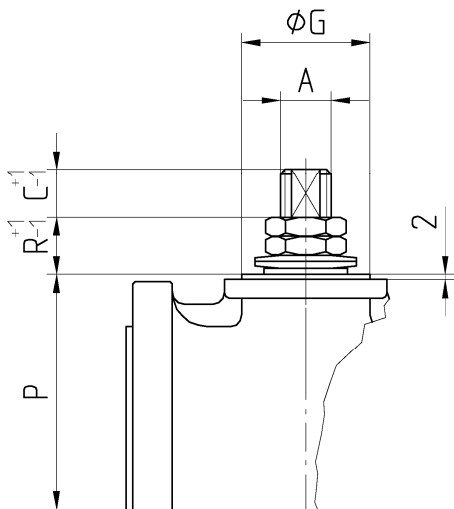
ISO 9001:2008 by L.R.
 PED DIR. 2014/68/UE by L.R.
 ATEX DIR. 2014/34/UE by B.V.
 FIRE SAFE EXECUTION by L.R.
 ISO 15848 by TÜV
 ANTISTATIC DEVICE by L.R.
 FIRE SAFE TESTED ISO 10497 by L.R.
 EAC CERTIFICATION by B.V.

TYPE
FB1
 PN 10 ÷ 40
 ANSI 150

VALVOLA A SFERA "CORPO PIATTO" PASSAGGIO TOTALE
BALL VALVES "WAFFER TYPE" FULL BORE
ROBINETS A BOISSEAU SPHERIQUE "WAFFER" PASSAGE INTEGRAL
FLANSCHKUGELHÄHNE IN "KOMPAKTBAUWEISE" VOLLER DURCHGANG

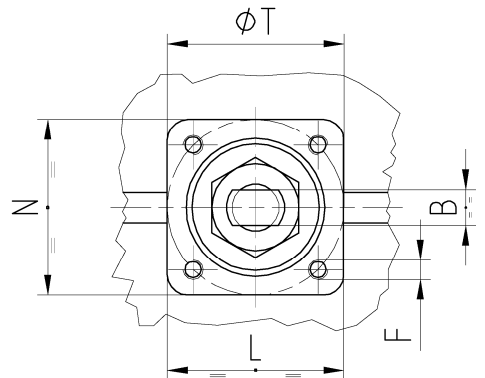


CONSTRUCTION ACCORDING TO:
 BS EN 12516-2 - ANSI B16.34
 ISO 14313 - EN 558



- ACCOPPIAMENTO VALVOLA ATTUATORE
- CONNECTION VALVE ACTUATOR
- ACCOUPLEMENT ROBINET-ACTIONNEUR
- ZUSAMMENBAU KUGELHAHN ANTRIEB

ISO-5211





ISO 9001:2008 by L.R.
 PED DIR. 2014/68/UE by L.R.
 ATEX DIR. 2014/34/UE by B.V.
 FIRE SAFE EXECUTION by L.R.
 ISO 15848 by TÜV
 ANTISTATIC DEVICE by L.R.
 FIRE SAFE TESTED ISO 10497 by L.R.
 EAC CERTIFICATION by B.V.

TYPE
FB1
 PN 10 ÷ 40
 ANSI 150

N.	DESCRIZIONE DESCRIPTION DESCRIPTION BESCHREIBUNG	MATERIALI MATERIALS MATERIAUX WERKSTOFFE
1	CORPO BODY CORPS MITTE	ASTM A 351 CF8 ASTM A 351 CF8M
2	GHIERA INSERT EMBOUT GEWINDED RUCKRING	ASTM A479 304/304L ASTM A479 316/316L
3*	O-RING	FKM - (VITON)
4*	ANELLO SEAL ANNEAU DICHTUNGSRING	P.T.F.E.
5*	SEDE SEAT SIEGE SITZRING	P.T.F.E. (BAM CERTIFIED) R.P.T.F.E. (OPTIONAL)
6	SFERA BALL BOULE KUGEL	ASTM A479 304/304L ASTM A351 CF8 ASTM A479 316/316L ASTM A351 CF8M
7	DISPOSITIVO ANTISTATICO ANTISTATIC DEVICE CONTACT ANTISTATIQUE ANTISTATIK VORRICHTUNG	ASTM A479 316/316L
8	STELO STEM TIGE SPINDEL	ASTM A479 304/304L ASTM A479 316/316L

N.	DESCRIZIONE DESCRIPTION DESCRIPTION BESCHREIBUNG	MATERIALI MATERIALS MATERIAUX WERKSTOFFE
9*	BUSSOLA STEM SEAL JOINT TIGE UNTERE SPINDEL ABDICHTUNG	P.T.F.E.
10*	PACCO A "V" CHEVRON RINGS JOINT A "V" 3 FACHE DACHMANSCHETTE	P.T.F.E. / GRAFITE P.T.F.E. / GRAPHITE P.T.F.E. / GRAPHITE P.T.F.E. / GRAPHIT
11	PREMIBUSSOLA PRESSING BUSH PRESSE RONDELLE STOPFBUCHSDRUCKRING	ASTM A479 304
12	MOLLE A TAZZA SPRING WASHERS RONDELLES BELLEVILLE TELLERFEDERN	C72/50Cr V4 ZINCATO - GALVANIZED - ZINGUE - VERZINKT X5CrNi17.7 or X12CrNi17.7 ON REQUEST
13	VITE DI FERMO E FERMO PIN AND STOP PIN PLONT ET PLOT D'ARRET ANSCHLAGBOLZEN	UNI3740 8.8 ZINCATO - GALVANIZED - ZINGUE - VERZINKT UNI 3951 A2-70 ON REQUEST
14	DADO - CONTRODADO NUT - LOCK NUT ECROU - CONTRE-ECROU MUTTER - KONTERMUTTER	UNI 3740 - 6S ZINCATO - GALVANIZED - ZINGUE - VERZINKT ASTM A479 304 ON REQUEST
15	LEVA WRENCH LEVIER HANDHEBEL	AISI 1010 ZINCATO - GALVANIZED - ZINGUE - VERZINKT ASTM A479 304 ON REQUEST
16		

* RICAMBI CONSIGLIATI - RECOMMENDED SPARE PARTS - PIECES DE RECHANGE CONSEILLEES - ERSATZTEIL EMPFEHLUNG

DIMENSIONI - DIMENSION - DIMENSIONS - ABMESSUNGEN

DN	15	20	25	32	40	50	65	80	100	125	150	200	250	300
A					16	16	22	22	30	30				
B					10	10	14	14	18	18				
C					10	10	12	12	17	17				
E					38	51	64	76	101	118				
F					M6	M6	M8	M8	M8	M10				
ISO					F05	F05	F07	F07	F07	F10				
G					35	35	55	55	55	70				
H					110	120	144	152	174	188				
L					58	56	67	68	70	97				
M					280	280	370	370	470	650				
N					54	54	70	70	70	97				
P					55	65	82	90,5	99,5	113				
R					20	21	24	24	27	27				
S					64	84	103	120	153.5	182				
T					50	50	70	70	70	102				
~Kg					5	7	11	15	20	31				

TYPE
FA1
 VEDERE SEE VOIR SIEHE
 DN 15 ÷ 40
 PN 10 ÷ 40
 ANSI 150 ÷ 300

TYPE
FB2
 VEDERE SEE VOIR SIEHE
 DN 150 ÷ 250
 PN 10 ÷ 40
 ANSI 150 ÷ 300

OPTIONAL TYPE
FA2
 VEDERE SEE VOIR SIEHE
 DN 15 ÷ 250
 PN 10 ÷ 40
 ANSI 150 ÷ 300

- DATI E CARATTERISTICHE SOGGETTI A VARIAZIONI SENZA PREAVVISO
- SPECIFICATIONS SUBJECT TO MODIFICATIONS WITHOUT PRIOR NOTICE
- TOUS DROITS DE MODIFICATION RESERVES
- KONSTRUKTIONÄNDERUNGEN VORBEHALTEN



ADLER SpA - BALL VALVES
 20010 S. STEFANO TICINO (MI) ITALY V.le BORLETTI, 14 Tel. +39/02974842.11 FAX +39/0297271698
 E-mail: adler@adlerspa.com <http://www.adlerspa.com>



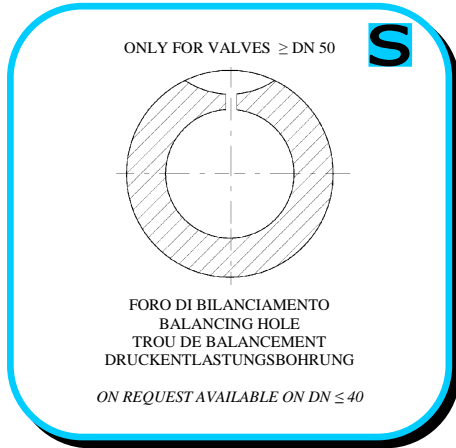
ISO 9001:2008 by L.R.
 PED DIR. 2014/68/UE by L.R.
 ATEX DIR. 2014/34/UE by B.V.
 FIRE SAFE EXECUTION by L.R.
 ISO 15848 by TÜV
 ANTISTATIC DEVICE by L.R.
 FIRE SAFE TESTED ISO 10497 by L.R.
 EAC CERTIFICATION by B.V.

TYPE
FB1
 PN 10 ÷ 40
 ANSI 150

• ESECUZIONI • EXECUTIONS • EXECUTIONS • AUSFÜHRUNGEN



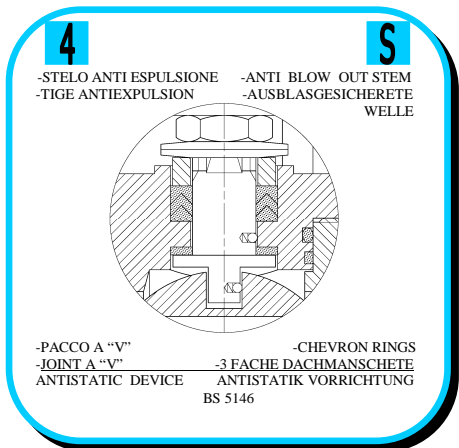
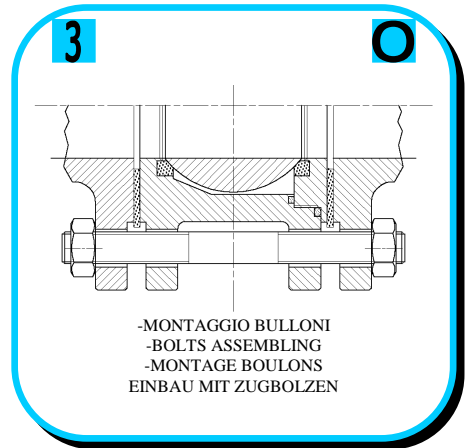
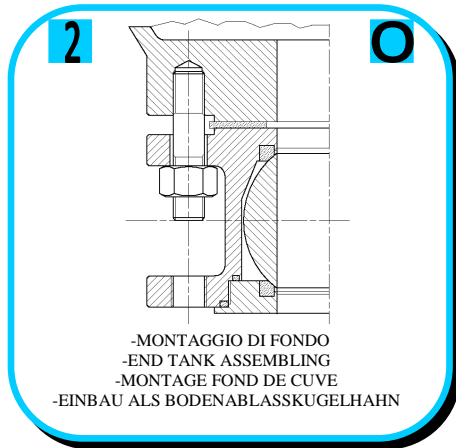
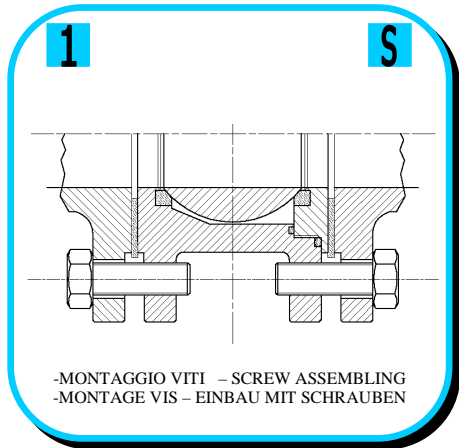
EXECUTION 4 - 12



EXECUTION 6 - 16

S STANDARD

O OPTIONAL



TÜV
 TÜV
 CERTIFICATE

This certificate with No. 1-148682-2 is the result of helium shaft leak tests performed on a

ADLER SpA, Valvole a Sfera - S. Stefano Ticino (NO)
 DN 50 ANSI 150 B.P.
 Ball Valve

with reference to the requirements of FA LUFT G&S 571000 (Elastische Aushängung zur Reinhaltung der Luft) EN 15848-1, EN 10845, EN 10200 and with reference to prEN ISO 15848-1 Ed. 10/2003.

COMPANY: ADLER SpA, Valvole a Sfera - S. Stefano Ticino (NO)
 TEST LOCATION: Laboratorio CIBECO, Milano (MI) per ADLER Production site
 TIME OF TESTING: From 09^h to 10^h February 2015
 TESTED VALVES: Ball valve, nominal diameter DN 50, nominal pressure Class 200 (SA ball, forged SF, body material ASTM A 479 316)

REQUIREMENTS: Equivalence criteria of leak testing system according to FA LUFT G&S July 2002 under Point 5.2.8.4 and corrected VDI 2244 (Leak Test) Part 104 (except in: prEN ISO 15848, Entrance Test (1500 cycles) with three Planned Cycles at 100000 cycles and one Stem Seat Adjustment (SSA)).
 LEAK DETECTION METHOD: Helium Leak Detector (Vacuum Method) Mass Spectrometer Type: Bolex PLS 150
 PACKING MATERIAL: Chevron PTFE/Graphite rings
 PACKING SEALING CONFIGURATION: As per attached drawing No. 4143 2 2709 1 to 4

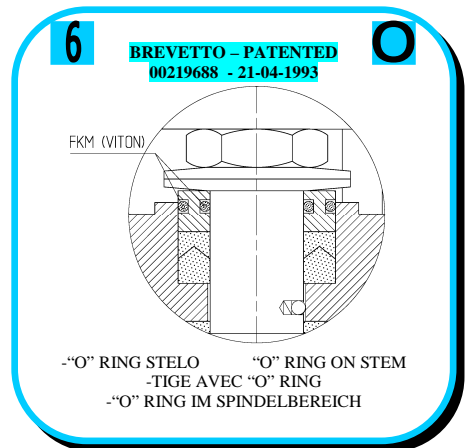
TEST RESULTS: Details of this test: CIBECO Test Report: SP50303005

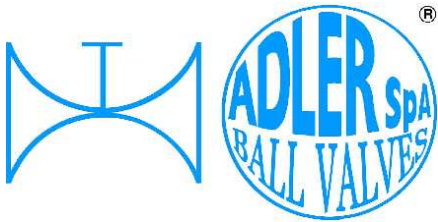
QUALIFICATION: The described valve shaft sealing system satisfies the FA LUFT equivalence criteria as well as VDI 2640
 This testing system can be identified according to EN ISO 10848 as class A, CO2 (3 thermal cycles) with 8850ms stem Adjustment during 1500 cycles. Suppressor cycling 90 to 1000 cycles and one more SSA, confirmed the qualification.

IMPORTANT: This certificate must be referred to the CIBECO Test Report SP50303005 and the Adler Procedure - Q38 01.

LOCATION: MILANO 20122005

ISO 15848 - 1 CERTIFICATION

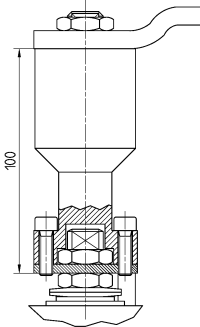




ISO 9001:2008 by L.R.
 PED DIR. 2014/68/UE by L.R.
 ATEX DIR. 2014/34/UE by B.V.
 FIRE SAFE EXECUTION by L.R.
 ISO 15848 by TÜV
 ANTISTATIC DEVICE by L.R.
 FIRE SAFE TESTED ISO 10497 by L.R.
 EAC CERTIFICATION by B.V.

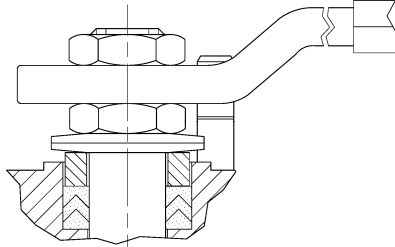
TYPE
FB1
 PN 10 ÷ 40
 ANSI 150

7



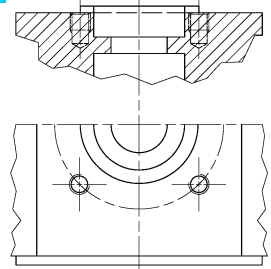
-PROLUNGA STELO -STEM EXTENSION
 -TIGE PROLONGEE -SPINDELVERLÄNGERUNG

8



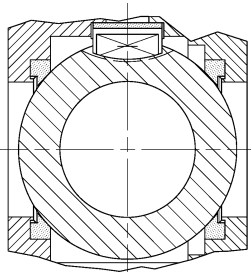
-PARTICOLARI INOX
 -STAINLESS STEEL DETAILS
 -ACCESSOIRES EN INOX
 -EDELSTAHLTEILE

9



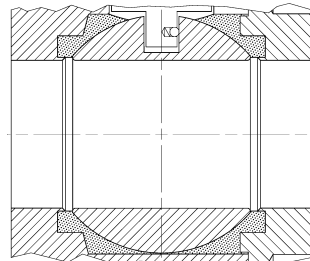
-ATTACCO "ISO" -"ISO" CONNECTIONS
 -SYSTEM "ISO" -ANSCHLUSS "ISO"

10



-SFERA CONTENUTA -CONTENTS BALL
 -BOULE CONTENUE
 -NICHT RAUSRAGENDE KUGEL

11



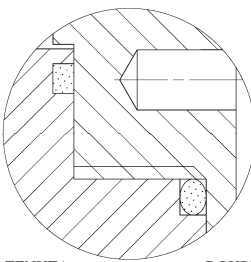
-TENUTE INTEGRALE -POCKETLESS SEATS
 -TENUE INTEGRALE -TOTRAUMARM
 -P.T.F.E. / R.T.F.E.

12

FIRE SAFE
 ISO 10497 "ISO-FT"
 (BS 6755 / API 607)



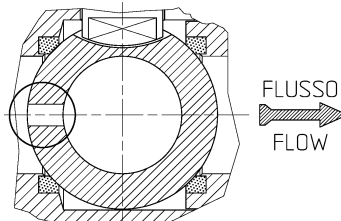
13



-DOPPIA TENUTA -DOUBLE SEALS
 -DOUBLE ETANCHEITE -DOPPELTE ABDICHTUNG
 -GHIERA A BATTUTA -METAL BEATING RING
 -EMBOUT AVEC BATTUE MECANIQUE
 -METALLISCHER ANSCHLAG DES
 GEWINDEDRUCKRINGS

14

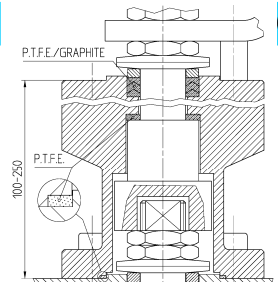
VEDERE / SEE ANSI B16.34



FLUSSO
 FLOW

-FORO DI SCARICO NELLA SFERA
 -OVERPRESSURE HOLE INTO BALL
 -TROU DECOMPRESSION DANS LA BOULE
 -ENTLASTUNGSBOHRUNG IN DER KUGEL
 VALVOLA MONO DIREZIONALE
 MONO-DIRECTIONAL VALVE

15



-SERVIZIO CRIOGENICO - CRYOGENIC SERVICE
 -SERVICE CRYOGENIQUE
 -TIEFTEMPORATUR SERVICE

16

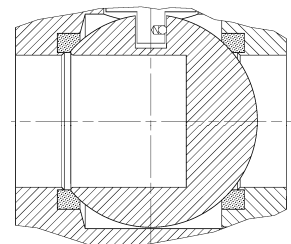


-FIRE SAFE ISO FT+ "O" RING STELO
 -FIRE SAFE ISO FT+ "O" RING ON STEM
 -SECURITE FEU ISO FT+ TIGE AVEC "O" RING
 -FEUERSICHERE AUSFÜHRUNG ISO FT+
 "O" RING IM SPINDELBEREICH

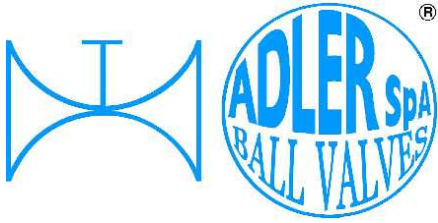
ADLER

UNA GAMMA COMPLETA
 PRIVILEGIANDO LA QUALITA'
 A COMPLETE RANGE PRIVILEGING
 THE QUALITY

18



-SFERA CIECA PER CAMPIONATURA
 -BLIND BALL FOR SAMPLING
 -PRISE-ECHANTILLON
 KUGEL FÜR PROBEHAHME



ISO 9001:2008 by L.R.
 PED DIR. 2014/68/UE by L.R.
 ATEX DIR. 2014/34/UE by B.V.
 FIRE SAFE EXECUTION by L.R.
 ISO 15848 by TÜV
 ANTISTATIC DEVICE by L.R.
 FIRE SAFE TESTED ISO 10497 by L.R.
 EAC CERTIFICATION by B.V.

TYPE
FB1
 PN 10 ÷ 40
 ANSI 150

VITI D'ASSEMBLAGGIO PER FB1 - ASSEMBLING SCREWS FOR FB1 - VIS D'ASSEMBLAGE POUR FB1- MONTAGESCHRAUBEN FÜR FB1

N° VITI - DIMENSIONE • N° SCREW - DIMENSIONS • N° VIS- DIMENSIONS • N° SCHRAUBEN-ABMESSUNGEN

EUROPEAN NORM

DN PN	10-15	20	25	32	40	50	65	80	100	125	150
10					8 M16 X40	8 M16 X45	8 M16 X45	* 16 M16 X40	16 M16 X45	16 M16 X50	
16					8 M16 X40	8 M16 X45	8 M16 X45	16 M16 X50	16 M16 X45	16 M16 X50	
25					8 M16 X40	8 M16 X45	16 M16 X45	16 M16 X50	16 M20 X55	16 M24 X55	
40					8 M16 X40	8 M16 X45	16 M16 X45	16 M16 X50	16 M20 X55	16 M24 X55	

ANSI METRIC

(STANDARD ADLER)

Ø Rating	1/2"	3/4"	1"	1 1/4"	1 1/2"	2"	2 1/2"	3"	4"	5"	6"
150					8 M14 X40	8 M16 X45	8 M16 X50	8 M16 X50	16 M16 X50	16 M20 X50	

ANSI B1.1 UNC

(ON REQUEST)

Ø Rating	1/2"	3/4"	1"	1 1/4"	1 1/2"	2"	2 1/2"	3"	4"	5"	6"
150					8 1/2 X 1 1/2	8 5/8 X 1 3/4	8 5/8 X 1 3/4	8 5/8 X 2	16 5/8 X 2	16 3/4 X 2	

Length of screws calculated considering a gasket with thickness of 2mm.

For dimension in **BLU COLOR** is necessary to use a washer with thickness of 2 mm.

