

2-Way full-bore Threaded-Ends Brass Ball Valve

ART. 101



Standard executions:

The valve is suitable for medium pressures on condition that non aggressive fluids are used.

Working temperature: from -20°C to +150°C for fluids.

Working pressure: see diagram.

Fluid range: air, water, oil, gas, petroliferous and petrochemical products, vacuum.

Threaded ends as per UNI/ISO 7/1 Rp specifications.

Head of the valve as per ISO 5211 specifications

On request:

NPT threaded ends

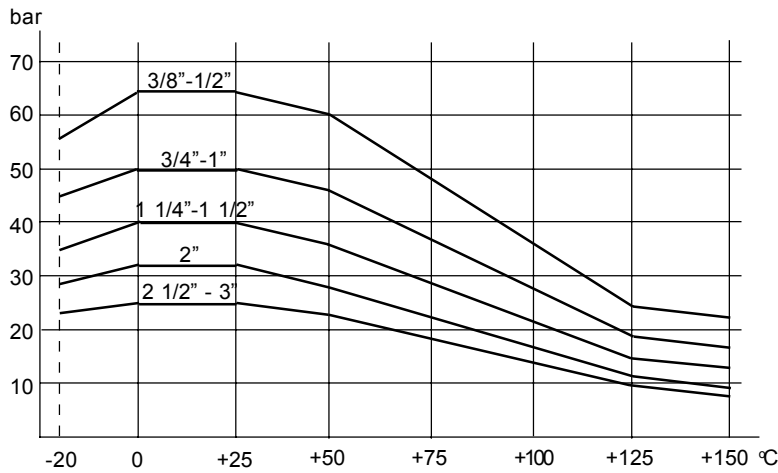
For other applications, please contact our technical department.

Approvals:

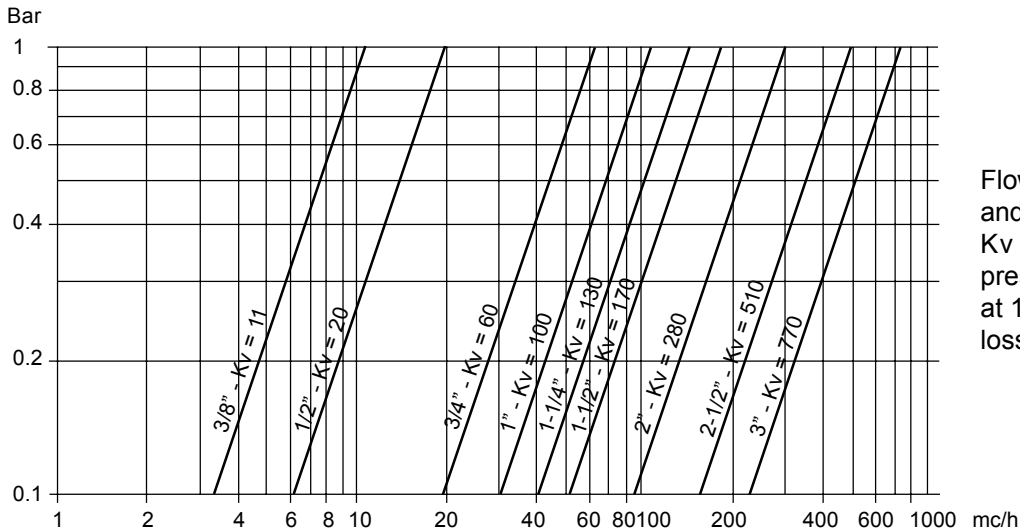
According to 97/23 EC "PED"

VALVE CODES IN STANDARD EXECUTION

size	DN 10	DN 15	DN 20	DN 25	DN 32	DN 40	DN 50	DN 65	DN 80
Free shaft weight Kg.	V101N203	V101N204	V101N205	V101N206	V101N207	V101N208	V101N209	V101N210	V101N211
with lever weight Kg.	L101N203	L101N204	L101N205	L101N206	L101N207	L101N208	L101N209	L101N210	L101N211



Pressure/Temperature diagram



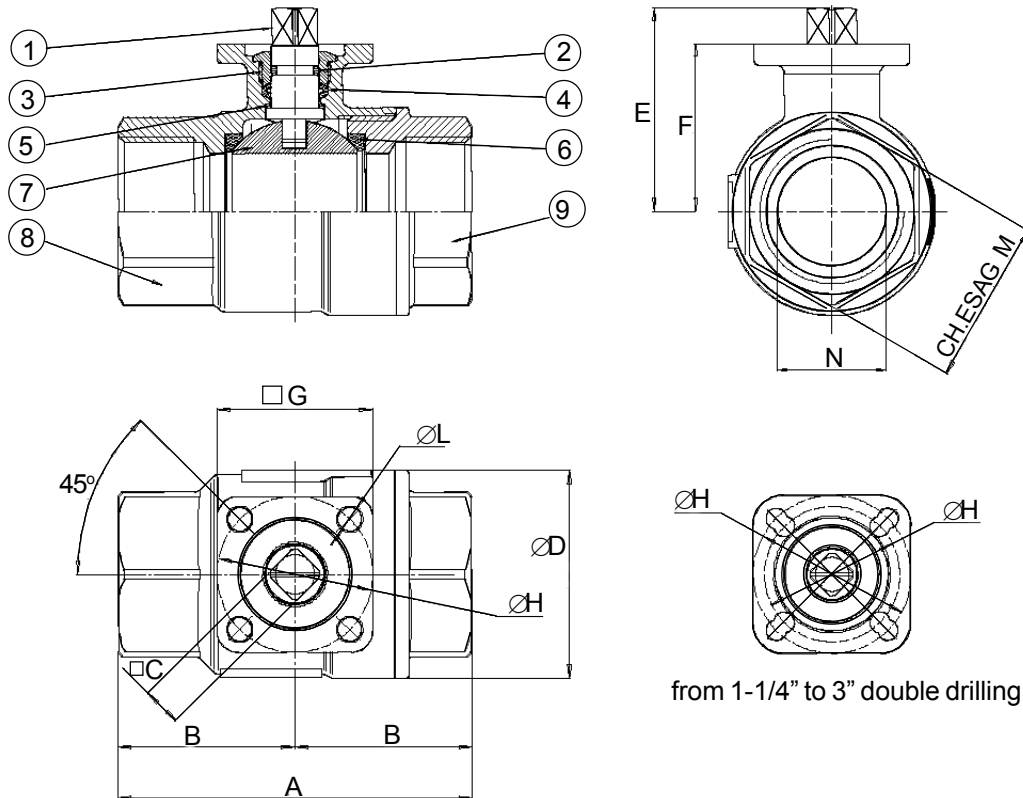
Flow-pressure loss diagram and Kv nominal coefficient. Kv is the coefficient, expressed in m³/h (with water at 15°C) causing a pressure loss of 1 bar.

BREAK AWAY TORQUES Nm

size	DN 10	DN 15	DN 20	DN 25	DN 32	DN 40	DN 50	DN 65	DN 80
PN 0 bar									
PN 16 bar									
PN 25 bar							22	45	65
PN 40 bar					12	15			
PN 50 bar			6	7					
PN 64 bar	4	4							

Torque can vary depending on temperature and type of fluid; a safety factor of 1.4 must be applied. Torque can drop on high frequency of operations.

VALVE TYPE 101



from 1-1/4" to 3" double drilling

MATERIALS

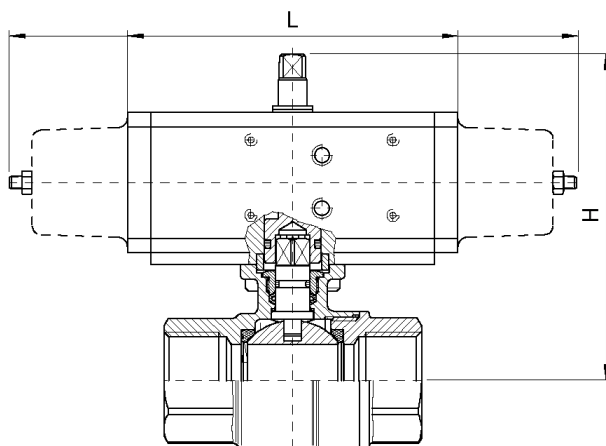
1) Shaft *	Brass	EN 12164 CW614N
2) O-Ring	FKM	
3) Gland nut *	Brass	EN 12164 CW614N
4) Shaft seal	P.T.F.E.	
5) Antifriction rings	P.T.F.E.	
6) Seals	P.T.F.E.	
7) Ball	Brass chromium plated	EN 12164 CW614N
8) Body *	Brass	EN 12165 CW617N
9) Threaded ends *	Brass	EN 12165 CW617N

* Surface treatment: bright nickel plating

DIMENSIONS

Size	A	B	C	øD	E	F	G	øH	øL	ch.M	N
3/8"	69	34.5	9	31.8	38.5	30.5	36	36	5.5	25	10
1/2"	69	34.5	9	31.8	38.5	30.5	36	36	5.5	25	15
3/4"	77	38.5	9	40	45.3	36.3	36	36	5.5	31	20
1"	89	44.5	9	48	49.2	40.2	36	36	5.5	38	25
1 1/4"	103	51.5	9	60	60.5	51.5	42	36/42	5.5	47	32
1 1/2"	114	57	9	70.6	67	58	42	36/42	5.5	54	40
2"	134	67	11	88.5	76.3	65.3	46	42/50	5.5/6.5	66	50
2 1/2"	161	80.5	14	112	97	83	65	50/70	6.5/8.5	84	65
3"	185	92.5	14	138.4	108.5	94.5	65	50/70	6.5/8.5	98	80

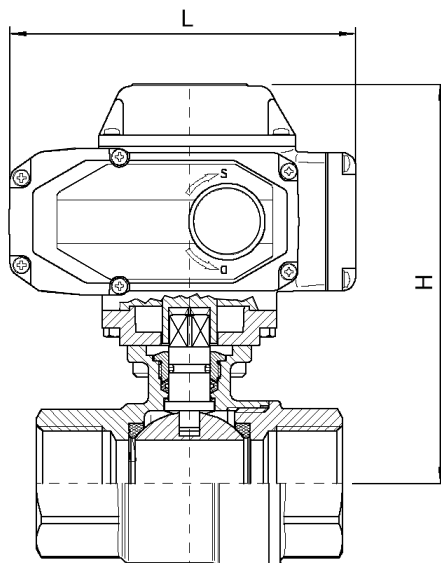
AUTOMATED VALVE TYPE 101



DOUBLE ACTING PNEUMATIC ACTUATOR

SPRING RETURN PNEUMATIC ACTUATOR

Model	Actuator	Mounting kit	DN mm	L mm	H mm	Weight Kg	Model	Actuator	Mounting kit	DN mm	L mm	H mm	Weight Kg
D101H003	DA008401S	—	10	70	88	0.61	S101H003	SR015401S	—	10	221	110	1.52
D101H004	DA008401S	—	15	70	88	0.59	S101H004	SR015401S	—	15	221	110	1.5
D101H005	DA015401S	—	20	114	103.5	1.09	S101H005	SR015401S	—	20	221	117	1.64
D101H006	DA015401S	—	25	114	107.5	1.33	S101H006	SR015401S	—	25	221	121	1.88
D101H007	DA030401S	—	32	130	131	2.03	S101H007	SR030402S	—	32	240	141	2.97
D101H008	DA030401S	—	40	130	138	2.45	S101H008	SR030402S	—	40	240	148	3.39
D101H009	DA045402S	—	50	144	150.7	4.64	S101H009	SR045401S	—	50	294	162.5	5.42
D101H0010	DA090401S	—	65	168.5	180.5	6.5	S101H010	SR090401S	—	65	357	209	9.2
D101H0011	DA120401S	—	80	185	211	10.3	S101H011	SR120401S	—	80	368	231	14.5



ON-OFF ELECTRICAL ACTUATOR

ROTARY MODULAR TYPE ELECTRICAL ACTUATOR

Model	Actuator	Mounting kit	DN mm	L mm	H mm	Weight Kg	Model	Actuator	Mounting kit	DN mm	L mm	H mm	Weight Kg
E10116B03	AE160001	—	10	158.5	149	3	M10116C03	AM160002	—	10	165.8	149	3
E10116B04	AE160001	—	15	158.5	149	3	M10116C04	AM160002	—	15	165.8	149	3
E10116D05	AE160004	—	20	158.5	155.8	3.2	M10116C05	AM160002	—	20	165.8	155.8	3.2
E10116D06	AE160004	—	25	158.5	159.6	3.4	M10116C06	AM160002	—	25	165.8	159.6	3.4
E10116D07	AE160004	—	32	158.5	170	3.8	M10116F07	AM160005	KCE281944	32	207.5	254	6.5
E10116D08	AE160004	—	40	158.5	176.4	4.2	M10116F08	AM160005	KCE281944	40	207.5	260.5	6.9
E10116D09	AE160004	—	50	158.5	183.8	5.3	M10116F09	AM160005	—	50	207.5	228	7.9
E10116H10	AE160010	—	65	207.5	246.5	9.2	M10116L10	AM160020	—	65	256.5	268	14.7
E10116L11	AE160020	—	80	256.5	279.5	16.1	M10116L11	AM160020	—	80	256.5	279.5	17.6