

**JUMO GmbH & Co. KG**  
 Delivery address: Mackenrodtstraße 14,  
 36039 Fulda, Germany  
 Postal address: 36035 Fulda, Germany  
 Phone: +49 661 6003-0  
 Fax: +49 661 6003-607  
 e-mail: mail@jumo.net  
 Internet: www.jumo.net

**JUMO Instrument Co. Ltd.**  
 JUMO House  
 Temple Bank, Riverway  
 Harlow, Essex CM20 2DY, UK  
 Phone: +44 1279 635533  
 Fax: +44 1279 635262  
 e-mail: sales@jumo.co.uk  
 Internet: www.jumo.co.uk

**JUMO Process Control, Inc.**  
 8 Technology Boulevard  
 Canastota, NY 13031, USA  
 Phone: 315-697-JUMO  
 1-800-554-JUMO  
 Fax: 315-697-5867  
 e-mail: info@jumo.us  
 Internet: www.jumo.us



# JUMO DELOS SI

## Precision pressure transmitter with switching contacts and display

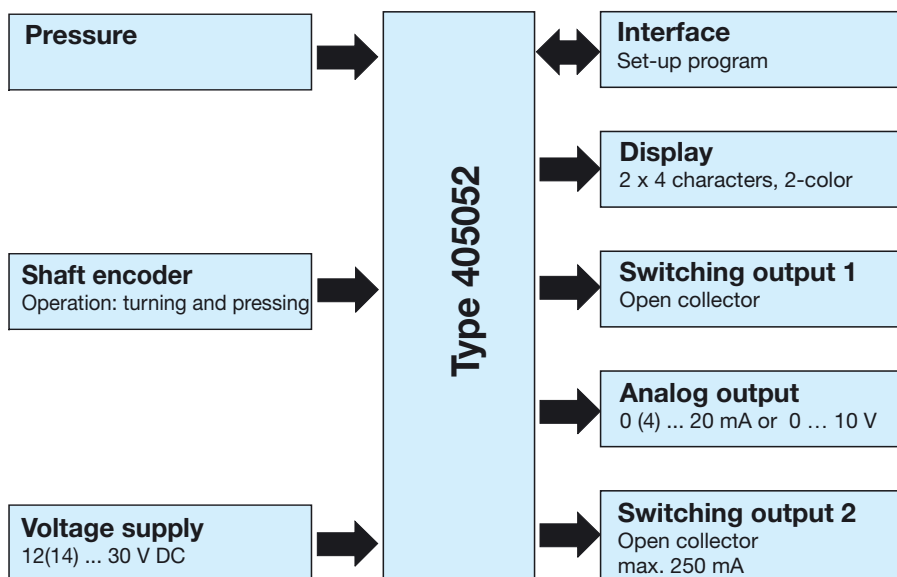
### Brief description

The high-precision, electronic pressure switch JUMO DELOS SI provides flexible application due to its switching outputs, analog output and an LC display to visualize the process pressure and switching contact statuses. Due to its stainless steel housing and the sealless measuring system, it is also perfectly suitable for use in hygienically sensible areas. A variant of this system in a high-temperature design resistant to temperatures of up to 200°C can be used especially for measuring tasks on hot media and lines. Depending on the application, the following output variants are available: 1 x PNP or 2 x PNP switching output or 1 x PNP switching output and one analog output signal. The configuration of the output signal and the measuring range can be customized.



Type 405052

### Block diagram



### Special features

- Linearity 0.1%
- Measuring range scaling 1 : 4
- Two-colour display with alarm function
- Analog output can be freely configured
- up to 200°C medium temperature
- programming is either local or via set-up

Approval/approval marks (see Technical Data)



**JUMO GmbH & Co. KG**  
 Delivery address: Mackenrodtstraße 14,  
 36039 Fulda, Germany  
 Postal address: 36035 Fulda, Germany  
 Phone: +49 661 6003-0  
 Fax: +49 661 6003-607  
 e-mail: mail@jumo.net  
 Internet: www.jumo.net

**JUMO Instrument Co. Ltd.**  
 JUMO House  
 Temple Bank, Riverway  
 Harlow, Essex CM20 2DY, UK  
 Phone: +44 1279 635533  
 Fax: +44 1279 635262  
 e-mail: sales@jumo.co.uk  
 Internet: www.jumo.co.uk

**JUMO Process Control, Inc.**  
 8 Technology Boulevard  
 Canastota, NY 13031, USA  
 Phone: 315-697-JUMO  
 1-800-554-JUMO  
 Fax: 315-697-5867  
 e-mail: info@jumo.us  
 Internet: www.jumo.us



## Technical data

### General information

<b>Reference conditions</b>	DIN 16086 and DIN EN 60770
<b>Probe system</b>	Silicium probe with stainless steel separating diaphragm
Pressure transfer means	synthetic oil, conforming FDA standards
admissible load changes	> 10 million
Installation position	any
Calibration position	Device upright, process connection at the bottom
Zero point offset depending on position	Local zero point correction or via set-up (20% of the nominal measuring range).
- Basic type 000 standard	≤ 1 mbar
- Basic type 004 high-temperature design	≤ 10 mbar
<b>Display</b>	Positively lit display
Alignment	Display can be mirror-imaged by 180° via software Housing can be rotated through ±160° (use the supplied tools)
Size	Display 16 x 26 mm / font size 7 mm / 4-digit
Color	Standard operation: amber Error: red (text "Err", error code 1...9 flashes) Setup interface occupied: red
Switching status display	K1, K2
Measuring unit	mbar, bar, kPa, MPa, psi, %
<b>Operation</b>	
local	Via operating element beneath the locking screw mit with combination tool or 0.5 x 3 screwdriver or 2AF hex key
Setup interface	Pin 5 of the M 12 x 1 round pin plug

### Input

All measuring ranges can be overloaded up to -1 bar (vacuum resistant)

<b>Relative pressure</b>							
Measuring range	0.4	1	4	10	25	60	bar
Overload capability	1.6	4	16	40	100	240	
Burst pressure	2	5	20	50	125	300	
Measuring range	-0.4...0.4	-1...1	-1...3	-1...9	-1...24		bar
Overload capability	1.6	4	16	40	100		
Burst pressure	2	5	20	50	125		
<b>Absolute pressure</b>							
Measuring range	0.4	1	4	10	25	60	bar
Overload capability	1.6	4	16	40	100	240	
Burst pressure	2	5	20	50	125	300	

### Outputs

All analog outputs in 3-wire technology / Open Collector, PNP circuit

<b>Analog output</b>	
can be freely configured	4...20 mA and 1 x PNP switching output as standard, see (4), page 8 0...20 mA and 1 x PNP switching output 0...10 V and 1 x PNP switching output
Jump response time T90	≤ 100 ms
<b>Switching output</b>	
Number	1 x PNP switching output 2 x PNP switching output
Switching type	N/O / N/C

**JUMO GmbH & Co. KG**  
 Delivery address: Mackenrodtstraße 14,  
 36039 Fulda, Germany  
 Postal address: 36035 Fulda, Germany  
 Phone: +49 661 6003-0  
 Fax: +49 661 6003-607  
 e-mail: mail@jumo.net  
 Internet: www.jumo.net

**JUMO Instrument Co. Ltd.**  
 JUMO House  
 Temple Bank, Riverway  
 Harlow, Essex CM20 2DY, UK  
 Phone: +44 1279 635533  
 Fax: +44 1279 635262  
 e-mail: sales@jumo.co.uk  
 Internet: www.jumo.co.uk

**JUMO Process Control, Inc.**  
 8 Technology Boulevard  
 Canastota, NY 13031, USA  
 Phone: 315-697-JUMO  
 1-800-554-JUMO  
 Fax: 315-697-5867  
 e-mail: info@jumo.us  
 Internet: www.jumo.us



Switching function	Window / hysteresis
<b>Switching capacity</b> - Voltage drop from $U_B$ - Contact rating - Switching cycles Response time Short-circuit proof	PNP $\leq 2$ V ON $\leq 250$ mA / OFF $\leq 1$ mA > 10 million $\leq 20$ ms Yes
<b>Load check, current</b> - Period duration - Periodic protective circuit with over-current	2 s; $T_{ON}$ 40 ms f = 0.5 Hz Display: Err3 switching output K 1, Err4 switching output K 2
<b>Adjustment range</b> Analog output	Measurement range scaling (turn down) 1 : 4
<b>Switching output</b> - Switching point - Release point - Damping - Delay	0.5...100% / incremental width 0.1% 0...95% / incremental width 0.1% 0...99 s 0...9.9 s
<b>Apparent ohmic resistance</b> 4...20 mA 0...20 mA 0...10 V	$R_I \geq (U_B - 6.5V) / 0.022$ A $R_I \geq (U_B - 6.5V) / 0.022$ A $R \geq 10$ KW

## Mechanical properties

<b>Process connection</b> Material Surface Process seal - Process connection 521.523, 571, 575, 576, 652 - Process connection 997 JUMO PEKA	Stainless steel 316 L Ra $\leq 0.8$ $\mu$ m All flange connections are welded and do not require seals. FPM as standard FPM, VMQ, EPDM as an option, see data sheet 40.9711
<b>Measuring membranes</b> Material Surface	Stainless steel 316 L Ra $\leq 0.8$ $\mu$ m
<b>Casing</b> Material Surface Threaded sleeve M 12 x 1 Housing seal Display	Stainless steel 316 L Ra $\leq 0.8$ $\mu$ m Stainless steel 316 L VMQ silicone PA (Polyamide)
<b>Locking screw of the operating element</b> Material Surface Seal	Aluminum 3.2315 Anodized surface VMQ silicone FDA-compliant
<b>Weight</b>	0.2 kg with process connection G $\frac{1}{2}$ , type 504

**JUMO GmbH & Co. KG**  
 Delivery address: Mackenrodtstraße 14,  
 36039 Fulda, Germany  
 Postal address: 36035 Fulda, Germany  
 Phone: +49 661 6003-0  
 Fax: +49 661 6003-607  
 e-mail: mail@jumo.net  
 Internet: www.jumo.net

**JUMO Instrument Co. Ltd.**  
 JUMO House  
 Temple Bank, Riverway  
 Harlow, Essex CM20 2DY, UK  
 Phone: +44 1279 635533  
 Fax: +44 1279 635262  
 e-mail: sales@jumo.co.uk  
 Internet: www.jumo.co.uk

**JUMO Process Control, Inc.**  
 8 Technology Boulevard  
 Canastota, NY 13031, USA  
 Phone: 315-697-JUMO  
 1-800-554-JUMO  
 Fax: 315-697-5867  
 e-mail: info@jumo.us  
 Internet: www.jumo.us



## Ambient conditions

<b>Admissible temperatures</b>	
Medium to be measured	-25...+100°C (+135°C max 1 hour / day)
- with basic type extension 004	-25...+200°C
Environment	-25...+75°C
- Ambient temperature -50°C	restricted function: only stationary use, danger of cable break, display without function
Storage	-40...+85°C
<b>Admissible air humidity</b>	
- during operation	100% including condensation of the outer housing of the device
- during storage	90% without condensation
<b>Admissible mechanical load</b>	
- Vibration resistance	20 g, 10...2000 Hz as per IEC 60068-2-6
- Shock resistance	50 g for 11 ms / 100 g for 1 ms as per IEC 60068-2-27
<b>Electromagnetic compatibility</b>	(only with 4-pin connection cable and grounded housing)
- emitted interference	Class A as per EN 61326
- interference resistance	Performance characteristic A as per EN 61326
<b>Protection type</b>	IP 67 as per DIN 60529

## Accuracy

<b>Relative pressure</b>							
Nominal measuring range	0.4	1	4	10	25	60	bar
<b>Linearity</b> <sup>a</sup>	<b>0.15</b>	<b>0.15</b>	<b>0.1</b>	<b>0.1</b>	<b>0.1</b>	<b>0.1</b>	% of EW
Accuracy at +20°C <sup>b</sup>	0.35	0.3	0.25	0.25	0.25	0.25	% of EW
Accuracy at -20...+75°C <sup>c</sup>	0.7	0.6	0.5	0.5	0.5	0.5	% of EW
<b>Nominal measuring range</b>							
Nominal measuring range	-0.4...0.4	-1...1	-1...3	-1...9	-1...24		bar
<b>Linearity</b> <sup>a</sup>	<b>0.15</b>	<b>0.15</b>	<b>0.1</b>	<b>0.1</b>	<b>0.1</b>		% of EW
Accuracy at +20°C <sup>b</sup>	0.35	0.3	0.25	0.25	0.25		% of EW
Accuracy at -20...+75°C <sup>c</sup>	0.7	0.6	0.5	0.5	0.5		% of EW
<b>Absolute pressure</b>							
Nominal measuring range	0.4	1	4	10	25	60	bar
<b>Linearity</b> <sup>a</sup>	<b>0.15</b>	<b>0.15</b>	<b>0.1</b>	<b>0.1</b>	<b>0.1</b>	<b>0.1</b>	% of EW
Accuracy at +20°C <sup>b</sup>	0.35	0.3	0.25	0.25	0.25	0.25	% of EW
Accuracy at -20...+75°C <sup>c</sup>	0.7	0.6	0.5	0.5	0.5	0.5	% of EW
<b>Switching output</b>							
Accuracy	≤ 0.5%						
Non-repeatability	≤ 0.2%						
Long-term stability	0.2% with reference conditions as per EN 61298-1						

<sup>a</sup> Linearity after limit point setting

<sup>b</sup> includes: linearity, hysteresis, repeatability, deviation from measuring range start and measuring range end

<sup>c</sup> includes: linearity, hysteresis, repeatability, deviation from measuring range start and measuring range end, thermal influence to measuring range start and measuring range

**JUMO GmbH & Co. KG**  
 Delivery address: Mackenrodtstraße 14,  
 36039 Fulda, Germany  
 Postal address: 36035 Fulda, Germany  
 Phone: +49 661 6003-0  
 Fax: +49 661 6003-607  
 e-mail: mail@jumo.net  
 Internet: www.jumo.net

**JUMO Instrument Co. Ltd.**  
 JUMO House  
 Temple Bank, Riverway  
 Harlow, Essex CM20 2DY, UK  
 Phone: +44 1279 635533  
 Fax: +44 1279 635262  
 e-mail: sales@jumo.co.uk  
 Internet: www.jumo.co.uk

**JUMO Process Control, Inc.**  
 8 Technology Boulevard  
 Canastota, NY 13031, USA  
 Phone: 315-697-JUMO  
 1-800-554-JUMO  
 Fax: 315-697-5867  
 e-mail: info@jumo.us  
 Internet: www.jumo.us



## Auxiliary energy

Supply voltage UB <sup>a</sup> - for (0)4 – 20 mA output - for 0 – 10 V output	Nominal voltage supply 24 V DC 12 - 30 V DC 14 - 30 V DC
Below the minimum supply voltage value	Display Err 5
Above the maximum supply voltage value > 34 V DC	The specified characteristics are no longer met.
Reverse polarity protection	YES
Power consumption	≤ 45 mA without load, ≤ 545 mA with load 2 x PNP
Electrical connection	Round pin plug M 12 x 1, 4-pin, A-coded (for the assignment, see "Connection diagram")
Circuit	SELV

<sup>a</sup> Ripple: the voltage spikes **must not** go above or below the values specified for the supply!

## Approval/approval marks

Approval marks	Inspection authority	Certificate/ Inspection number	Inspection basics	valid for
EHEDG	TUM MAK	No 03/2006	Document No 8	Process connection 997 JUMO PEKA

## Connection diagram

Output 470		Output 471		Output 475 - 477	
1 PNP switching output		2 PNP switching outputs		1 PNP switching output + 1 analog output	
Voltage supply		Voltage supply		Voltage supply	
1 L+	12(14)...30 V DC	1 L+	12(14)...30 V DC	1 L+	12(14)...30 V DC
3 L-	(GND)	3 L-	(GND)	3 L-	(GND)
Output		Output		Output	
4 K1	Highside open collector max. 250 mA	2 K2	Highside open collector max. 250 mA	2 analog	0(4)...20 mA / 0...10 V
2	nc	4 K1		4 K1	Highside open collector max. 250 mA
5	Interface	5	Interface	5	Interface

<b>Color coding: M 12x1 round pin plug</b>	1 bn	Brown	4 bk	Black	Color coding is <b>only</b> valid for A-coded standard cables.
	2 wh	White	5 gy	Gray	
	3 bu	Blue			

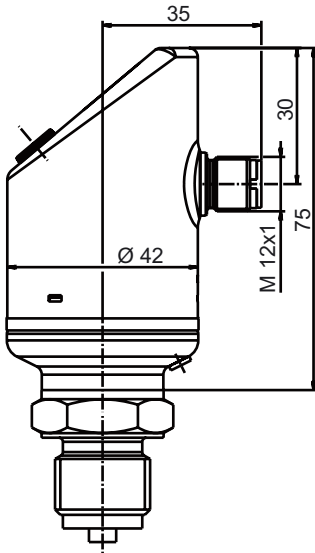
**JUMO GmbH & Co. KG**  
 Delivery address: Mackenrodtstraße 14,  
 36039 Fulda, Germany  
 Postal address: 36035 Fulda, Germany  
 Phone: +49 661 6003-0  
 Fax: +49 661 6003-607  
 e-mail: mail@jumo.net  
 Internet: www.jumo.net

**JUMO Instrument Co. Ltd.**  
 JUMO House  
 Temple Bank, Riverway  
 Harlow, Essex CM20 2DY, UK  
 Phone: +44 1279 635533  
 Fax: +44 1279 635262  
 e-mail: sales@jumo.co.uk  
 Internet: www.jumo.co.uk

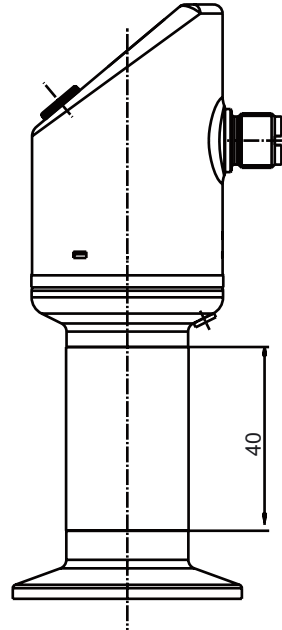
**JUMO Process Control, Inc.**  
 8 Technology Boulevard  
 Canastota, NY 13031, USA  
 Phone: 315-697-JUMO  
 1-800-554-JUMO  
 Fax: 315-697-5867  
 e-mail: info@jumo.us  
 Internet: www.jumo.us



## Dimensions



Type 405052/000-...



Type 405052/004-...

### Process connections, not flush-mounted

504	511	521	523

A = Profiled seal DN G 1/4  
 B = Profiled seal DN G 1/2  
 E = af 27

**JUMO GmbH & Co. KG**  
 Delivery address: Mackenrodtstraße 14,  
 36039 Fulda, Germany  
 Postal address: 36035 Fulda, Germany  
 Phone: +49 661 6003-0  
 Fax: +49 661 6003-607  
 e-mail: mail@jumo.net  
 Internet: www.jumo.net

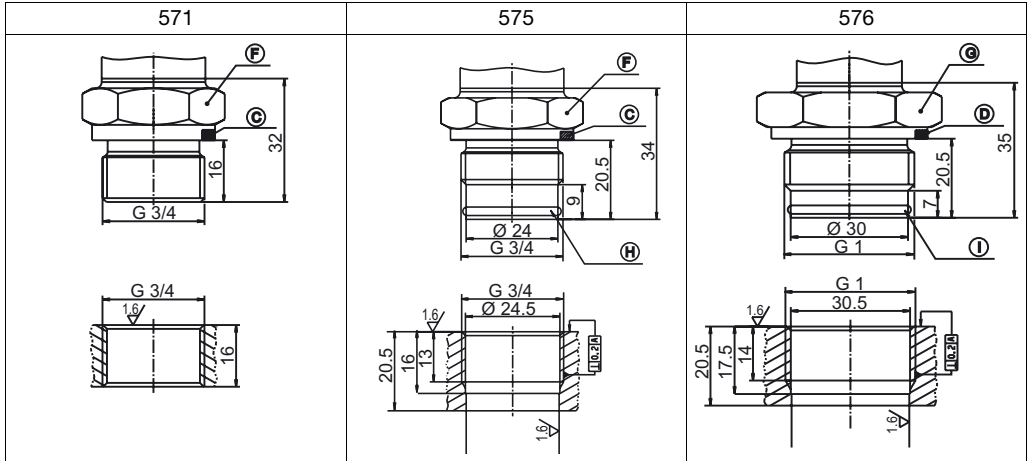
**JUMO Instrument Co. Ltd.**  
 JUMO House  
 Temple Bank, Riverway  
 Harlow, Essex CM20 2DY, UK  
 Phone: +44 1279 635533  
 Fax: +44 1279 635262  
 e-mail: sales@jumo.co.uk  
 Internet: www.jumo.co.uk

**JUMO Process Control, Inc.**  
 8 Technology Boulevard  
 Canastota, NY 13031, USA  
 Phone: 315-697-JUMO  
 1-800-554-JUMO  
 Fax: 315-697-5867  
 e-mail: info@jumo.us  
 Internet: www.jumo.us

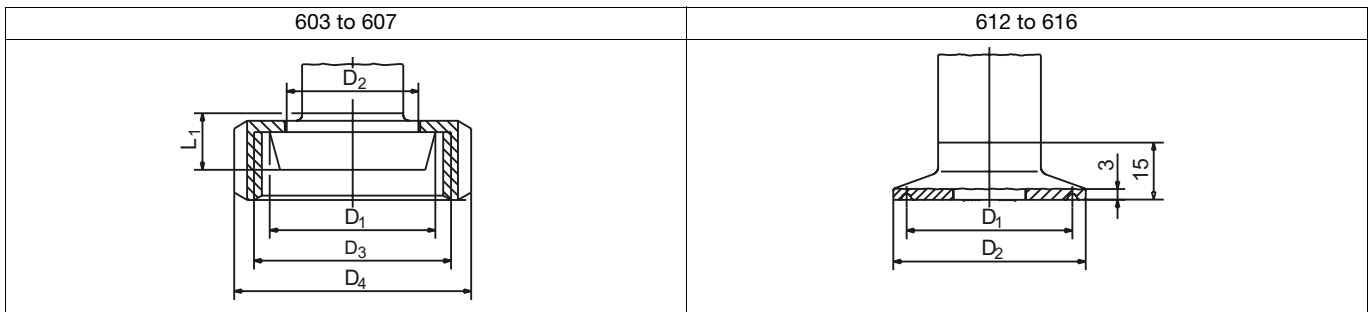


# Dimensions

## Process connections, flush-mounted

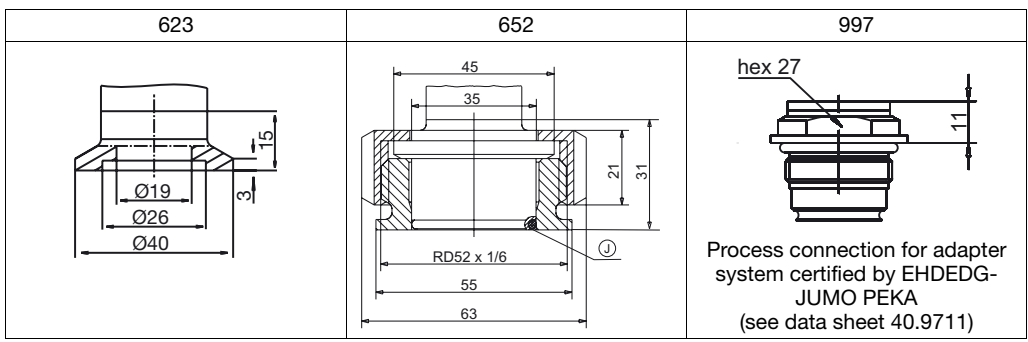


C = Profiled seal DN G 3/4  
 D = Profiled seal DN G 1  
 F = af 32  
 G = af 41  
 H = O ring 20.35 x 1.78  
 I = O ring 26.7 x 1.78  
 J = O ring 29.82 x 2.62



Process connection	DN	Ø D <sub>1</sub>	Ø D <sub>2</sub>	Ø D <sub>3</sub>	Ø D <sub>4</sub>	L <sub>1</sub>
603	20	36.5	30	RD 44 x 1/6	54	13
604	25	44	35	RD 52 x 1/6	63	15
606	40	56	48	RD 65 x 1/6	78	15
607	50	68.5	61	RD 78 x 1/6	92	16

Process connection	DN DIN 32676	DN (inch)	Nominal size ISO 2852	Ø D <sub>1</sub>	Ø D <sub>2</sub>
612	20		12	27.5	34
	15		12.7		
			17.2		
			21.3		
613	25	1"	25	43.5	50.5
	32	1.5"	33.7		
	40		38		
616	50	2"	40	56.5	64
			51		



Process connection for adapter system certified by EHDEG-JUMO PEKA (see data sheet 40.9711)

**JUMO GmbH & Co. KG**  
Delivery address: Mackenrodtstraße 14,  
36039 Fulda, Germany  
Postal address: 36035 Fulda, Germany  
Phone: +49 661 6003-0  
Fax: +49 661 6003-607  
e-mail: mail@jumo.net  
Internet: www.jumo.net

**JUMO Instrument Co. Ltd.**  
JUMO House  
Temple Bank, Riverway  
Harlow, Essex CM20 2DY, UK  
Phone: +44 1279 635533  
Fax: +44 1279 635262  
e-mail: sales@jumo.co.uk  
Internet: www.jumo.co.uk

**JUMO Process Control, Inc.**  
8 Technology Boulevard  
Canastota, NY 13031, USA  
Phone: 315-697-JUMO  
1-800-554-JUMO  
Fax: 315-697-5867  
e-mail: info@jumo.us  
Internet: www.jumo.us



## Order details

- (1) **Basic type**  
405052 Pressure transducer JUMO DELOS SI
- (2) **Basic type extension**  
000 none  
004 For temperatures of the material to be measured up to 200°C<sup>a</sup>  
999 Special design
- (3) **Nominal measuring range.**  
**Overpressure measuring ranges**  
452 0 ...0.4 bar relative pressure  
454 0 ...1 bar relative pressure  
457 0...4 bar relative pressure  
459 0...10 bar relative pressure  
461 0...25 bar relative pressure  
463 0...60 bar relative pressure
- Measurement ranges of negative overpressure**  
447 -0.4...0.4 bar relative pressure  
449 -1...1 bar relative pressure  
481 -1...3 bar relative pressure  
483 -1...9 bar relative pressure  
485 -1...24 bar relative pressure
- Absolute pressure measuring ranges**  
486 0...0.4 bar absolute pressure  
488 0...1 bar absolute pressure  
491 0...4 bar absolute pressure  
493 0...10 bar absolute pressure  
495 0...25 bar absolute pressure  
506 0...60 bar absolute pressure
- (4) **Output**  
470 1 x PNP switching output  
471 2 x PNP switching output  
475 1 x PNP switching output and analog output, 4...20 mA, 3-wire<sup>b</sup>  
476 1 x PNP switching output and analog output, 0...20 mA, 3-wire<sup>b</sup>  
477 1 x PNP switching output and analog output, 0...10 V, 3-wire<sup>b</sup>

<sup>a</sup> For process connection flush-mounted only

<sup>b</sup> Factory setting - the output can be freely configured



**JUMO GmbH & Co. KG**  
 Delivery address: Mackenrodtstraße 14,  
 36039 Fulda, Germany  
 Postal address: 36035 Fulda, Germany  
 Phone: +49 661 6003-0  
 Fax: +49 661 6003-607  
 e-mail: mail@jumo.net  
 Internet: www.jumo.net

**JUMO Instrument Co. Ltd.**  
 JUMO House  
 Temple Bank, Riverway  
 Harlow, Essex CM20 2DY, UK  
 Phone: +44 1279 635533  
 Fax: +44 1279 635262  
 e-mail: sales@jumo.co.uk  
 Internet: www.jumo.co.uk

**JUMO Process Control, Inc.**  
 8 Technology Boulevard  
 Canastota, NY 13031, USA  
 Phone: 315-697-JUMO  
 1-800-554-JUMO  
 Fax: 315-697-5867  
 e-mail: info@jumo.us  
 Internet: www.jumo.us



**(5) Process connection  
 not flush-mounted**

- 504 G 1/2
- 511 1/4-18 NPT
- 521 G 1/4 as per DIN 3852 T11
- 523 G 1/2 as per DIN 3852 T11
- 998 suitable for connection to diaphragm seal

**flush-mounted**

- 571 G 3/4 EN ISO 228-1
- 575 G 3/4 front-flush seal(2-way seal)
- 576 G 1 front-flush seal(2-way seal)
- 603 Tapered adapter / hygienic coupling DN 20 DIN 11851 <sup>a</sup>
- 604 Tapered adapter / hygienic coupling DN 25 DIN 11851 <sup>a</sup>
- 606 Tapered adapter / hygienic coupling DN 40 DIN 11851 <sup>a</sup>
- 607 Tapered adapter / hygienic coupling DN 50 DIN 11851 <sup>a</sup>
- 612 Clamp DN 10, 15, 20 DIN 32676; DN 8, 10, 15 ISO 2852
- 613 Clamp DN 25, 32, 40 DIN 32676; DN 20, 25, 32 ISO 2852; DN 1", 1.5" Zoll
- 616 Clamp DN 50 DIN 32676; DN 40 ISO 2852; DN 2" Zoll
- 623 Small flange connection
- 652 Tank connection <sup>b</sup>
- 997 JUMO PEKA (certified by EHEDG) <sup>c</sup>

**(6) Process connection, material**

- 20 Stainless steel 316L

**(7) Electrical connection**

- 36 Round pin plug M 12 x 1

**(8) Measuring system, filling medium**

- 01 FDA conforming oil
- 99 Special filling medium

**(9) Extra codes**

- 000 none
- 591 Throttle valve in the pressure channel
- 624 Oil and grease free
- 691 Partially sealed

<sup>a</sup> Union nut is included in delivery.

<sup>b</sup> Welding socket, seal and groove union nut are included in delivery.

<sup>c</sup> For suitable process connection adapters, see data sheet 40.9711

	(1)		(2)		(3)		(4)		(5)		(6)		(7)		(8)		(9)
<b>Order code</b>		/		-		-		-		-		-		-		/	
<b>Order example</b>	405052	/	000	-	459	-	471	-	504	-	20	-	36	-	01	/	000

**JUMO GmbH & Co. KG**

Delivery address: Mackenrodtstraße 14,  
36039 Fulda, Germany  
Postal address: 36035 Fulda, Germany  
Phone: +49 661 6003-0  
Fax: +49 661 6003-607  
e-mail: mail@jumo.net  
Internet: www.jumo.net

**JUMO Instrument Co. Ltd.**

JUMO House  
Temple Bank, Riverway  
Harlow, Essex CM20 2DY, UK  
Phone: +44 1279 635533  
Fax: +44 1279 635262  
e-mail: sales@jumo.co.uk  
Internet: www.jumo.co.uk

**JUMO Process Control, Inc.**

8 Technology Boulevard  
Canastota, NY 13031, USA  
Phone: 315-697-JUMO  
1-800-554-JUMO  
Fax: 315-697-5867  
e-mail: info@jumo.us  
Internet: www.jumo.us



## Accessories

Designation	Sales article No.
4-pin cable box (straight) M 12 x 1 with 2 m PVC cable	40/00404585
angled 4-pin box M 12 x1 with 2 m PVC cable	40/00409334
Setup program	40/00522384
PC interface cable including USB/TTL converter and adapter (USB connection cable) <sup>a</sup>	40/00456352
Connecting cable (Y cable) <sup>b</sup>	40/00507861
Combination tool	40/00526614

<sup>a</sup> Also order the connection cable

<sup>b</sup> Operation of the pressure transmitter is only possible with the connecting cable. Please order it at the same time.