

Customer :

N° :

Branch :

Date : 17 oct. 2016

Induction motor with options

2P LSMV90L 2,2kW LS2/IE2 B14 230VD/400VY 50Hz -

CEILS / FT130 ;

Utilisation : Environment Current ; Ambiance Non corrosive ; Finition - ; Zone Non specific ; General applications ; Ambient temperature -16 +40 °C ; Maximum altitude 1000 m.



Motor characteristics : Aluminium alloy housing ; Cast iron DE endshield ; Cast iron NDE endshield.

Motor definition

| | | | |
|----------------------------------|-------|--|----------------------|
| Protection type | - | Application | General applications |
| Generation code | LS2 | Main voltage (V) | 400 |
| Efficiency class | IE2 | Connection | DY |
| Number of network phases | 3 | Motor winding (V) | 230VD/400VY |
| Number of speed | 1V | Rated Frequency (Hz) | 50 |
| Polarity | 2P | Operation position | IM3601(IMB14) |
| Motor serie | LSMV | Index of protection | IP56 |
| Frame size (mm) | 90 | Index of cooling | IC411 |
| Length code | L | Insulation class | F |
| HS rated power (kW) | 2.200 | Finish | - |
| LS rated power (kW) | - | Moment of inertia J (kg.m ²) | 0.0019700 |
| Rated speed (min-1) | 2870 | Motor weight (kg) | 16.1 |
| Maximum mechanical speed (min-1) | 12000 | | |

Common definitions

| | |
|--------------|--|
| Paint shade | RAL9005 |
| Paint system | 1a (1 polyurethane coat 20/30 microns) |

Motor mechanical interface

| | | | |
|------------------------|------------------------|------------------------------|------------------|
| Mounting flange | FT130 | Shaft material type | Steel shaft |
| Drive end shaft type | IEC STANDARD shaft end | Nuance of shaft material | - |
| Diameter DE shaft (mm) | 24j6 | Second shaft extension | - |
| Length DE shaft (mm) | 50 | Diameter NDE shaft (mm) | - |
| DE bearing mounting | Locked | Second shaft end length (mm) | - |
| DE bearing type | DE ball bearing | NDE bearing type | NDE ball bearing |
| DE bearing | 6205 | NDE bearing | 6204 |
| Code Type de graissage | Vie | | |

Motor electrical interface

| | | | |
|--------------------------------------|-----------------|--------------------------------|---|
| Connection network type | Terminal box | Cable type | - |
| Connection network material | Aluminium alloy | Cable gland material | Cable gland not supplied, holes tapped with polyamide plugs |
| Connection network position | A | Main cable gland type | 1xM20 + 1xM16 ; With plugs |
| Connection network orientation | up | Principal cable gland position | Right (1) |
| Connection network relative position | 0 | Auxiliary cable gland type | - |

N° :

Date : 17 oct. 2016

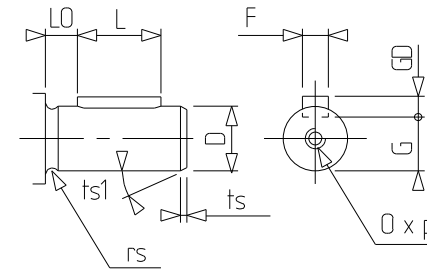
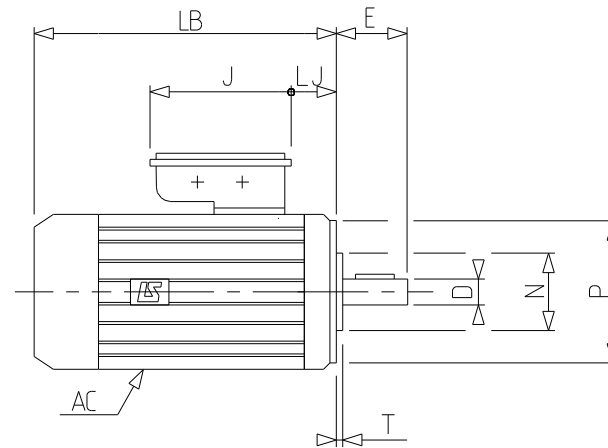
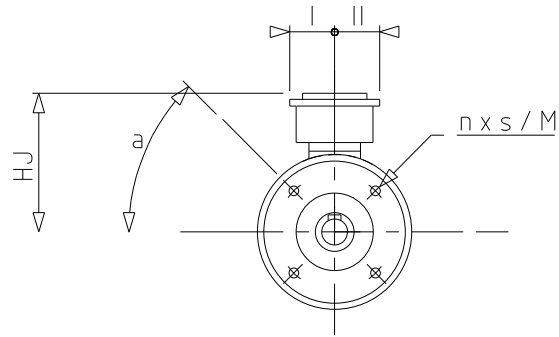
Induction motor with options - 2P LSMV90L 2,2kW LS2/IE2 B14 230VD/400VY 50Hz -

Motor options

| | | | |
|------------------------------|------------------------------|------------------------------------|-------------|
| Vibration level | B (11µm ; 0.7mm/s ; 1.1m/s²) | Cover | Metal cover |
| Balancing type | Half-key (H) | Drip proof cover option | - |
| Impregnation type | < 95% ; -16+40°C (T) | cooling type | - |
| Winding thermal protection | 1xPTC (winding) | Forced ventilation characteristics | - |
| Space heater | - | Encoder type | - |
| Draining plugs position | 6H | Encoder characteristics | - |
| Nameplate material | Aluminium nameplate | Screw material | Steel screw |
| Endshield thermal protection | - | Adaptation for vibration sensor | - |
| On winding insulation | - | | |

Motor characteristics (on mains supply)

| | | | |
|-------------------------------|-------|--|-------|
| Rated speed (min-1) | 2870 | Unload maximum starting frequency (d/h) | - |
| Rated current (A) | 4.46 | Acoustic pressure level (dB(A)) | 64 |
| No-load current (A) | - | Power factor at 4/4 of the load | 0,84 |
| Id / In | | Power factor at 3/4 of the load | 0,76 |
| Rated torque (N.m) | 7,13 | Power factor at 2/4 of the load | 0,63 |
| Starting torque (N.m) | NULL | Efficiency at 4/4 (IEC 60 034-2-1) of the load (%) | 83.70 |
| Maximum torque (N.m) | 29,23 | Efficiency at 3/4 (IEC 60 034-2-1) of the load (%) | 83.70 |
| Average starting torque (N.m) | | Efficiency at 2/4 (IEC 60 034-2-1) of the load (%) | 81.60 |
| Rotor locked time (cold) (s) | | | |



N° :

Date : 17 oct. 2016

Induction motor with options - 2P LSMV90L 2,2kW LS2/IE2 B14 230VD/400VY 50Hz -

Motor
(° & mm)

| | | | |
|-----|--------|-----|-----|
| A | - | LO2 | - |
| a | 45 | LP | - |
| AA | - | M | 130 |
| AB | - | N | 110 |
| AC | 189.00 | n | 4 |
| AD | - | O | M8 |
| AD1 | - | OA | - |
| B | - | P | 160 |
| BB | - | p | 19 |
| C | - | pA | - |
| D | 24j6 | rs | 0.5 |
| DA | - | rs2 | - |
| DTP | - | S | M8 |
| E | 50 | T | 3.5 |
| EA | - | ts | 2 |
| EC | - | ts1 | 20 |
| F | 8 | ts2 | - |
| FA | - | ts3 | - |
| G | 20 | x | - |
| GB | - | | |
| GD | 7 | | |
| GF | - | | |
| H | - | | |
| HA | - | | |
| HJ | 151.0 | | |
| I | 55 | | |
| IB | - | | |
| II | 55 | | |
| J | 160 | | |
| JC | - | | |
| JD | - | | |
| JE | - | | |
| JH | - | | |
| JP | - | | |
| K | - | | |
| L | 40 | | |
| L2 | - | | |
| LA | 0 | | |
| LB | 246.0 | | |
| LC | - | | |
| LD | - | | |
| LE | - | | |
| LH | - | | |
| LJ | 13.5 | | |
| LO | 6 | | |